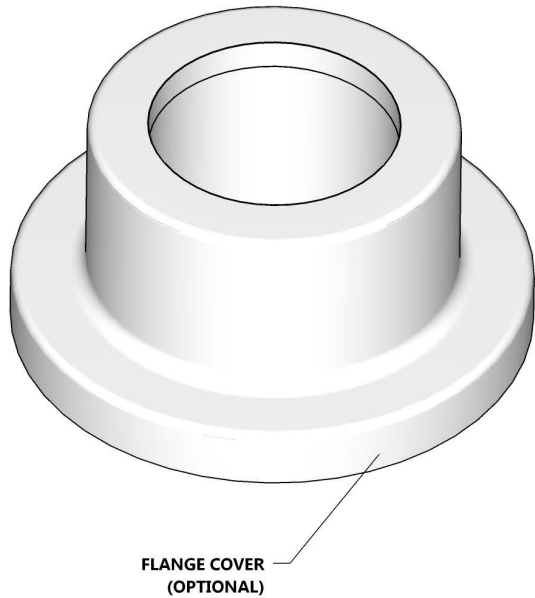
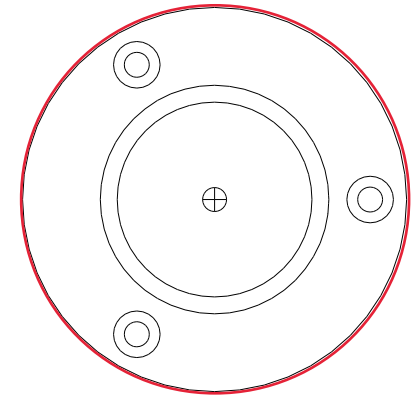
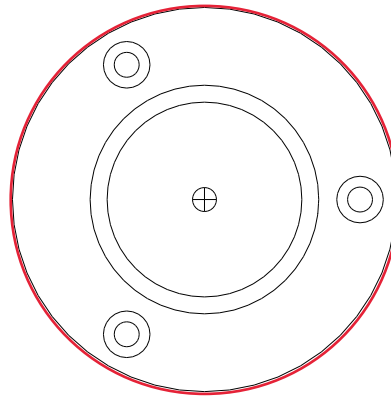
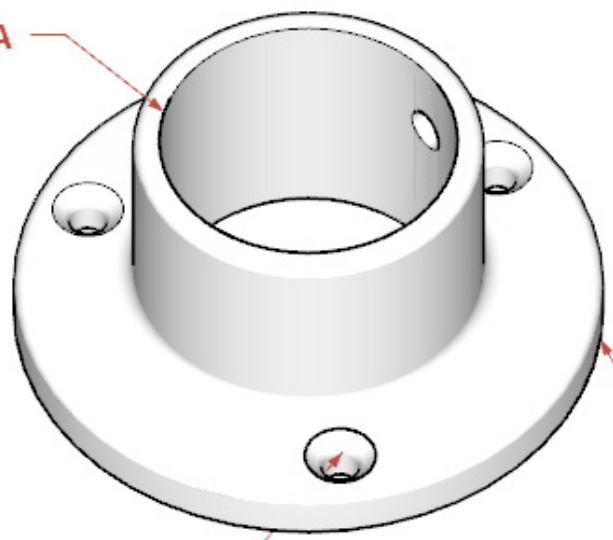


PRINT AT FULL SCALE

**CUT OUT** AND PLACE ON SURFACE

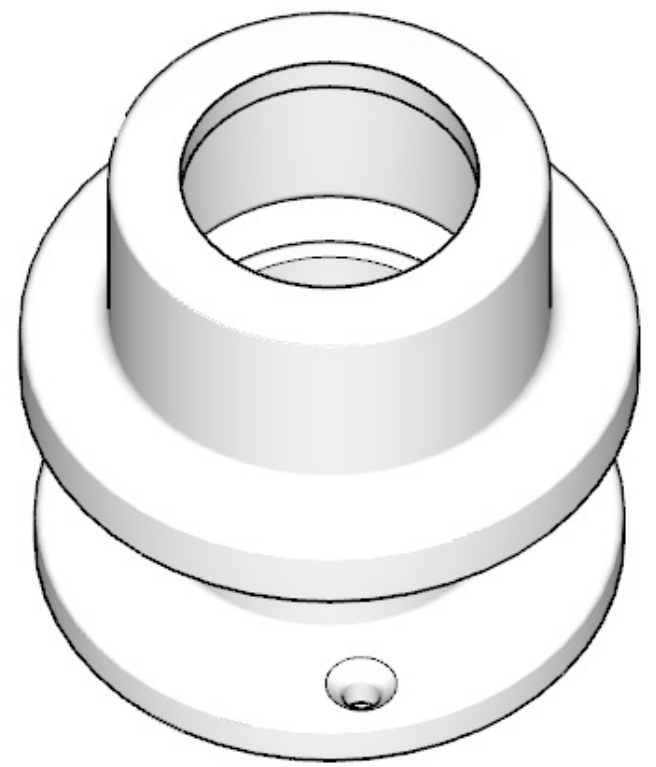


1" DIA

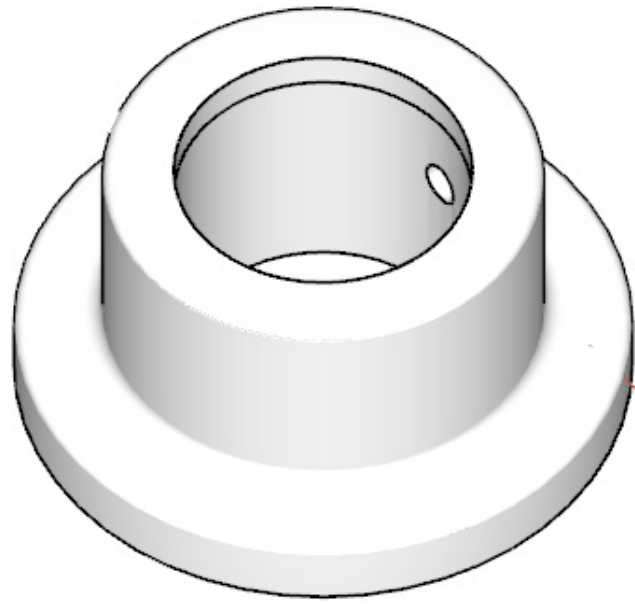


2" DIA

#8 COUNTER-SINK  
(3ea. PER FLG)



**ADM  
(STOCK)  
FLANGE**



FLG WITH CANOPY  
COVER (OPTIONAL)