

## Specifications:

### Construction:

- 1" Round tubing
- 2" Base flange
- Brackets accept 1/4" through 3/8" thick material

### Available Finishes:

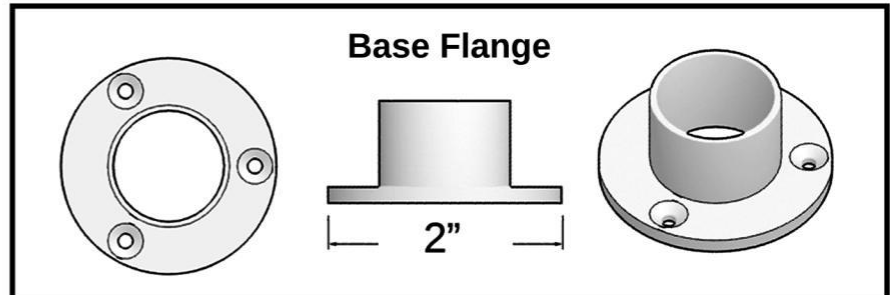
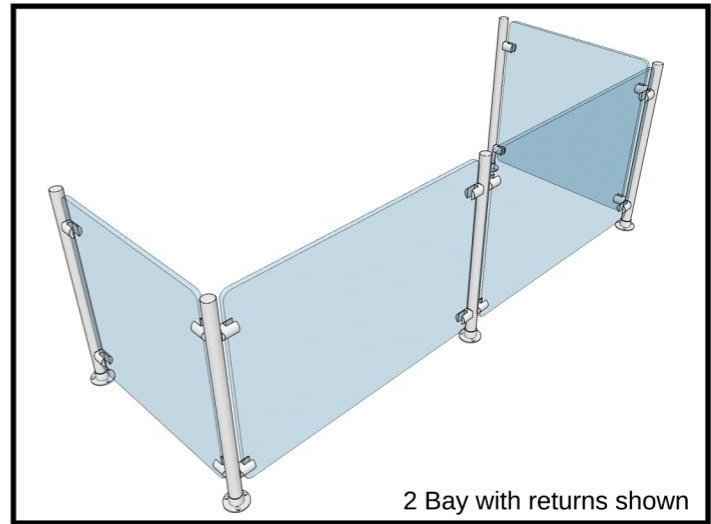
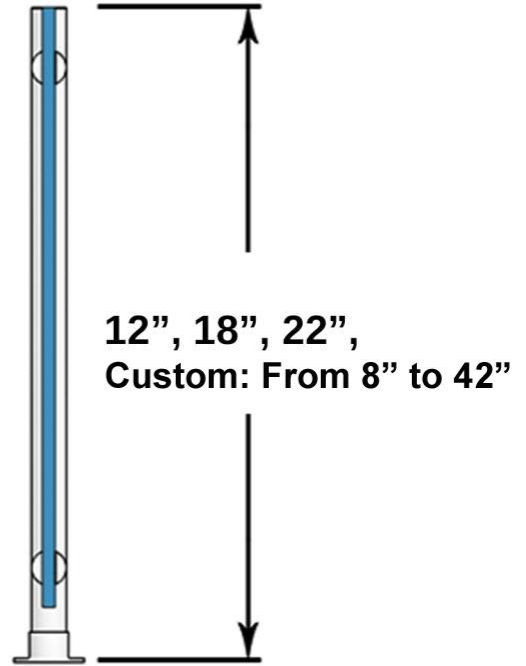
- Brushed stainless steel
- Brushed aluminum
- Powder-Coated: Satin Black

### Glass:

- 1/4" Clear tempered glass with polished edges

## Options:

- Glass corners:
  - Rounded
  - Squared
- End return panels
- Ringed "Adjustable" brackets
- Mid-Shelf "Adjustable" arms
- LED lighting
- Flange canopy covers
- Pivoting "Adjustable" face panels



### Web-Site:

[www.sneezeguard.com](http://www.sneezeguard.com)

### E-Mail:

[info@sneezeguard.com](mailto:info@sneezeguard.com)

### Phone:

(800) 805-1114

### Fax:

(800) 621-1992

### Reference sheet: EP5

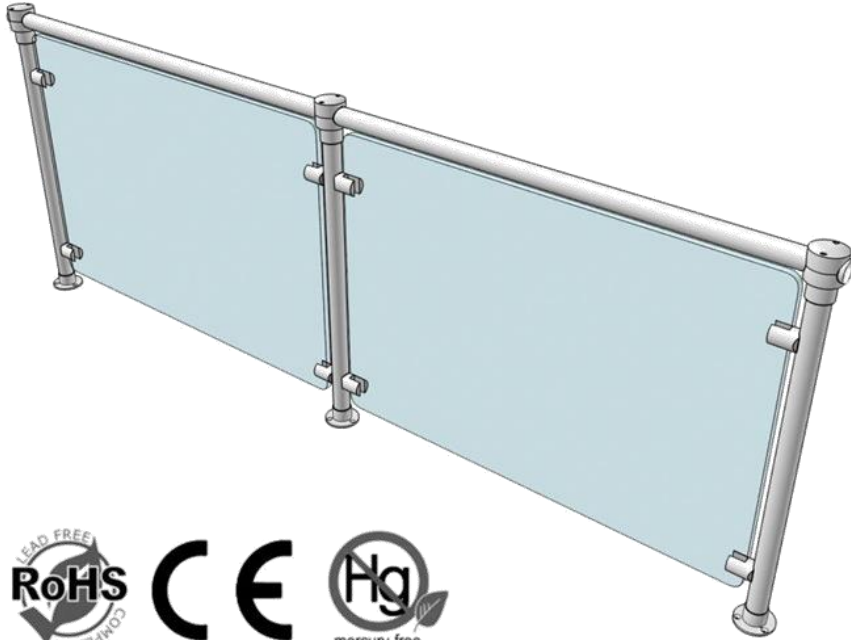
Dated: Oct 2014

# QDM

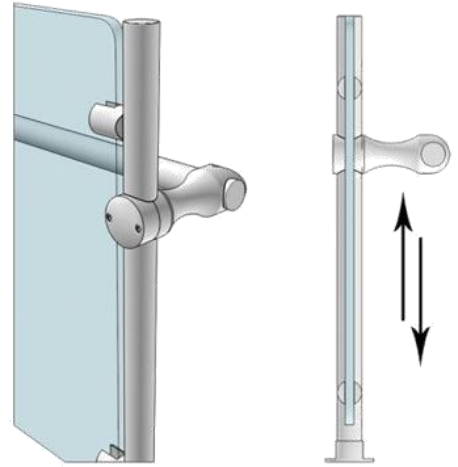
"THE **SNEEZEGUARD**  
COMPANY"

# EP5

## LED Lightbar

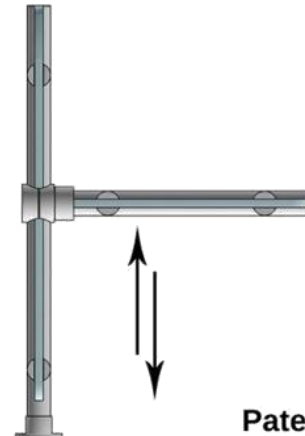
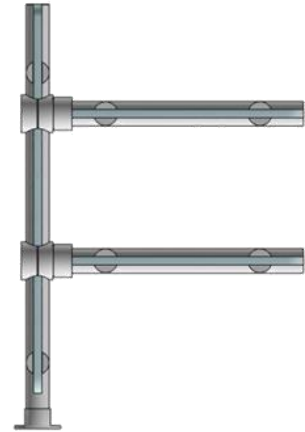
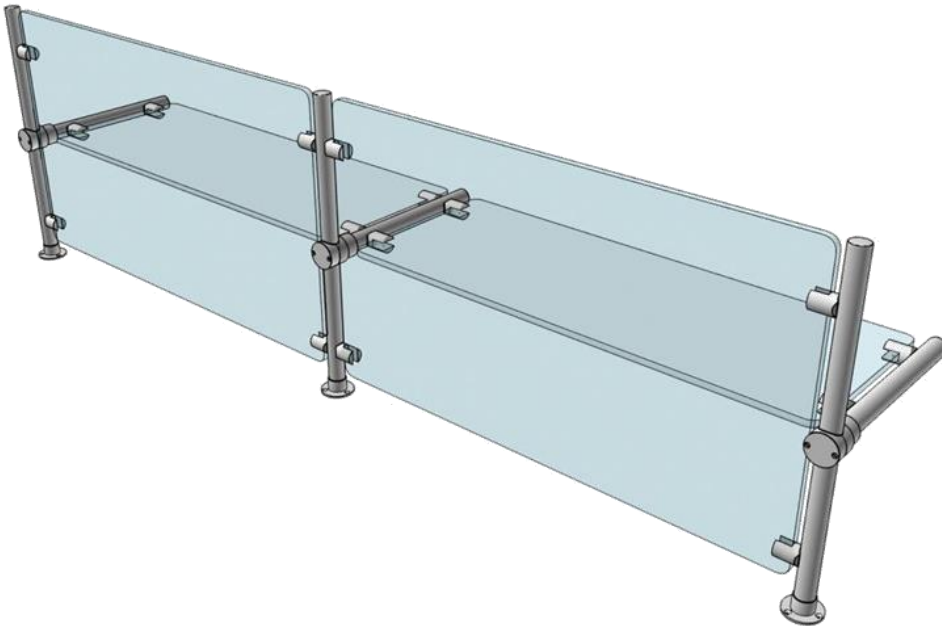


## Optional Side-mounted brackets



Patent Pending

## Mid-Shelf "Adjustable" arms



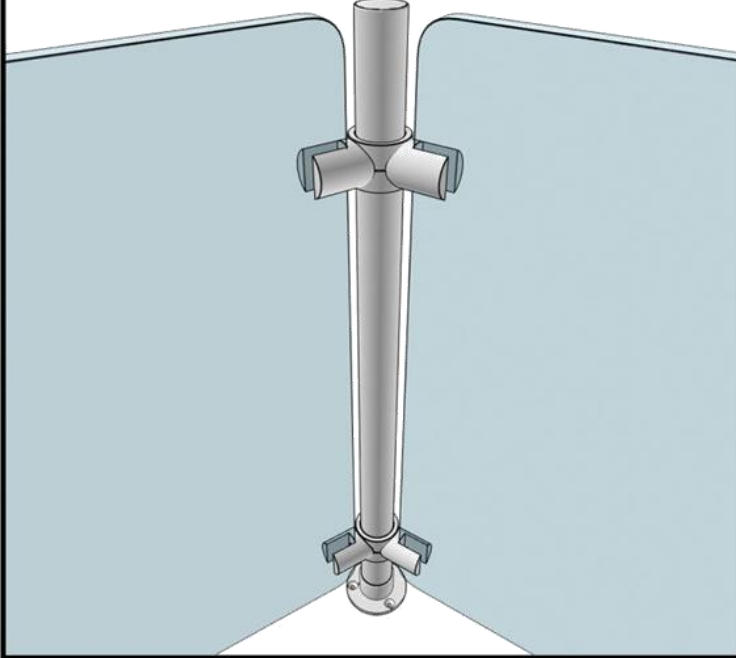
Patent Pending

# QDM

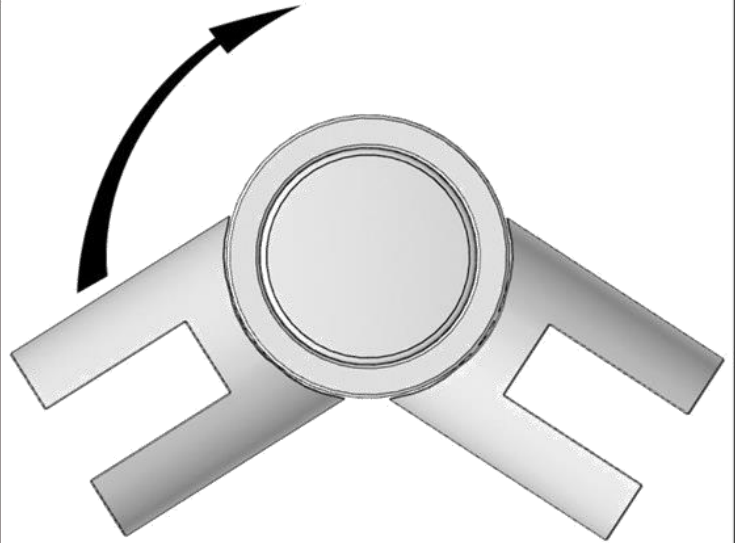
"THE **SNEEZEGUARD**  
COMPANY"

# EP5

**Ringed glass brackets**  
(for adjusting angle on-site)

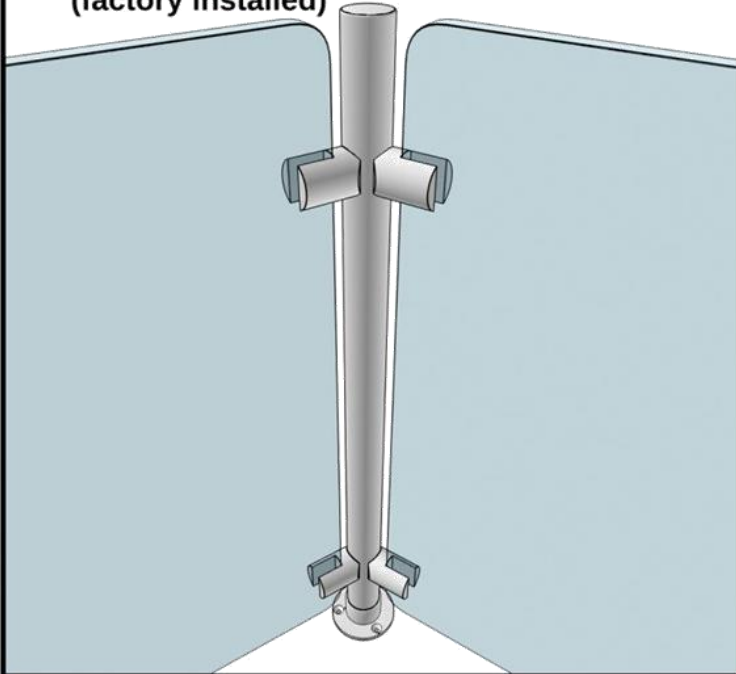


**Field Adjusted**  
**at any angle**  
(no tools required)

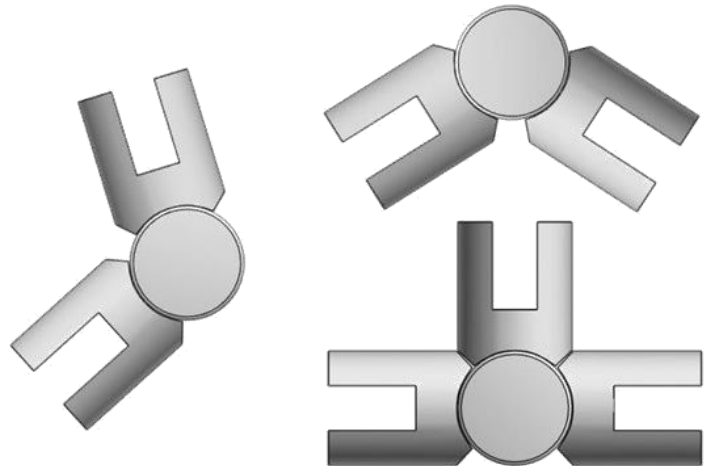


Patented

**Custom angle posts**  
(factory installed)



**Factory Installed**  
**at any angle**



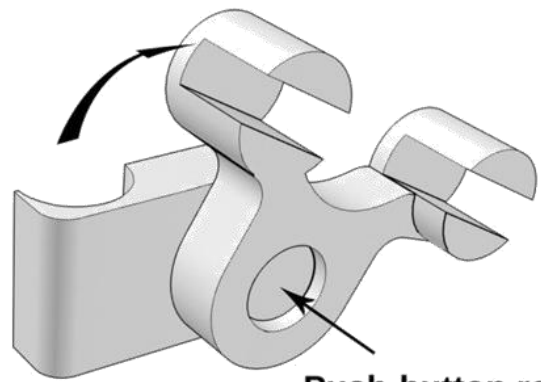
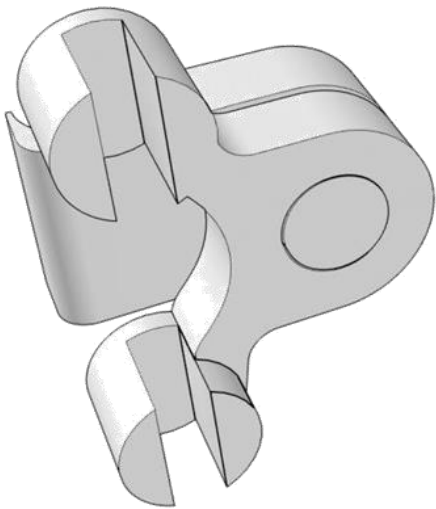
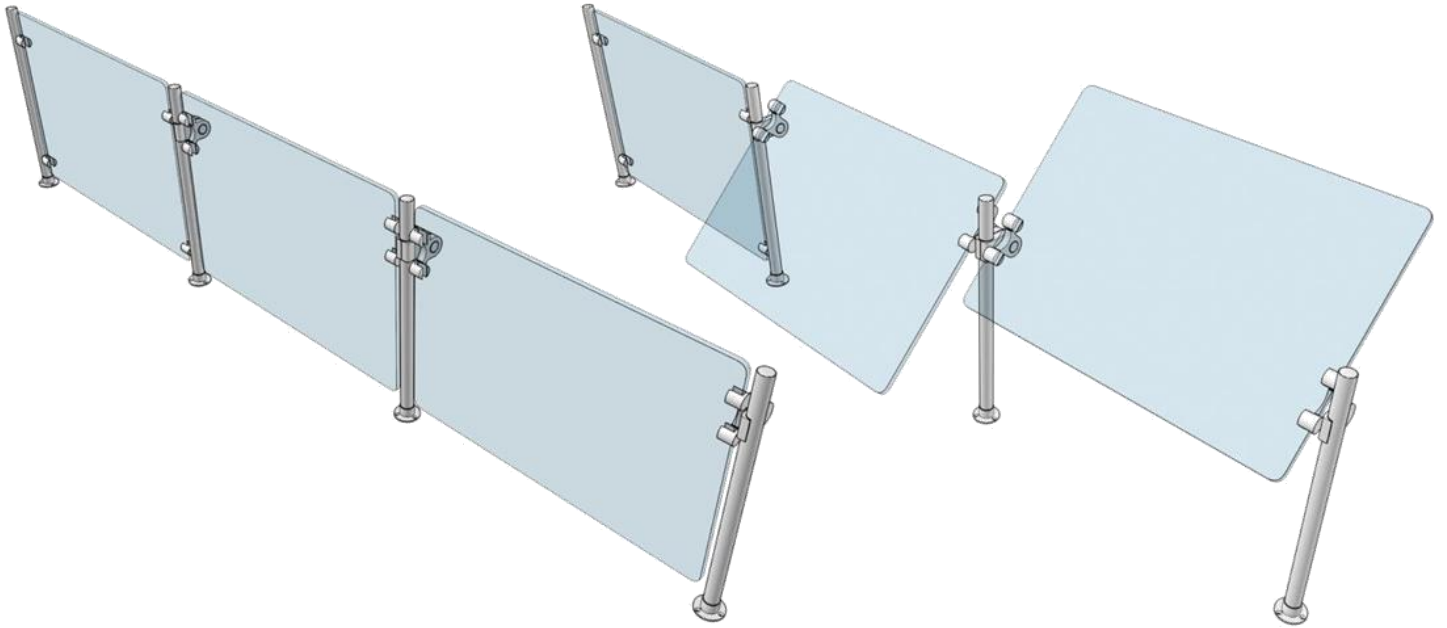
Patented

# QDM

"THE **SNEEZEGUARD**  
COMPANY"

# EP5

## Face "Adjustable" panels



Push-button release-  
Locking points every 15°

Patented