



" THE **SNEEZEGUARD**  
COMPANY "

# Adjustable Heat Lamp

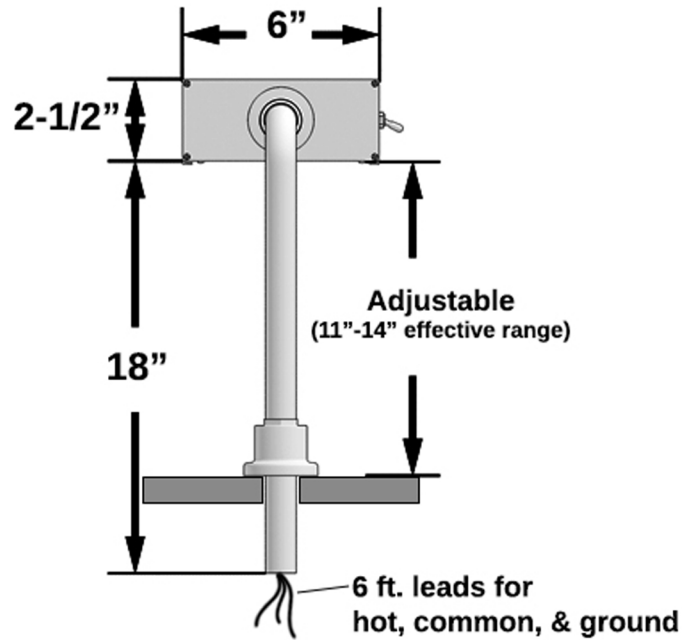
## Specifications:

### Supports:

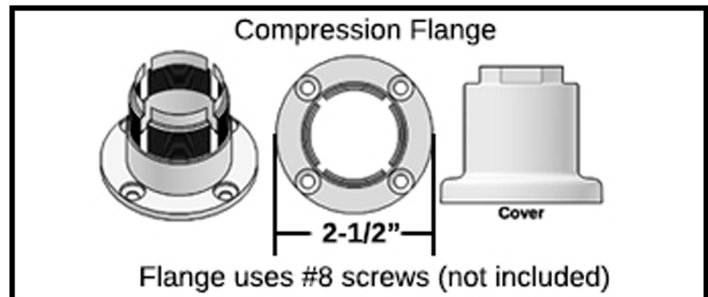
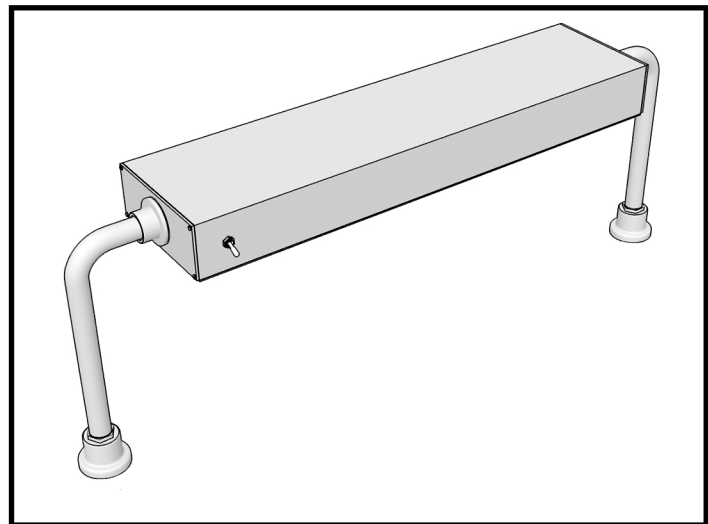
- 1" Mandrel bent tubing
- 2-1/2" Twist-Loc compression flange
- Available finishes:
  - Brushed Stainless Steel
  - Brushed Aluminum
  - Powder Coat: Satin Black

### Heat Lamp:

- Hatco GRAH series
- 110 V
- Optional 'Infinite' controls



Box Length	Watts
18"	350
24"	500
30"	660
36"	800
42"	950
48"	1100
54"	1250
60"	1400
66"	1560
72"	1725



Web-Site:  
[www.sneezeguard.com](http://www.sneezeguard.com)

E-Mail:  
[info@sneezeguard.com](mailto:info@sneezeguard.com)

Phone:  
(800) 805-1114

Fax:  
(800) 621-1992

Reference sheet: Heat Lamp  
Dated: Oct 2014