



Project \_\_\_\_\_

Item numbers \_\_\_\_\_

Quantity \_\_\_\_\_

Length \_\_\_\_\_

## Model EP7

The model EP7 has 1/4" clear tempered glass with square corners, and the posts are made with 304 stainless steel. This is a side counter top post model using side base flange option. ADM Sneezeguards have been manufacturing sneeze guards for over 33 years located in Antioch California. We have a solid reputation and are known thru out the industry as offering a durable and cost-effective product.

### Model Features

- Multiple configuration
- Operator friendly
- Adjustable height face glass
- Side base flange

### Standard Features

- 1/4" clear tempered glass with polished edges and square corners.
- Conformance with ASTN C1048-04 and tested to ANSI Z97.1 standard and certified.
- Multiple finishes
- Mounting options
- Side post options



### Options

- Brushed stainless Steel
- Powder coat RAL.....color
- Brushed aluminum

### Accessories

- Adjustable Brackets Pairs
- Side base flange
- Support post PC/SS
- Post clip



All products are manufactured to the highest standards in accordance to NSF and SGCC guidelines. To read more please see our website at [www.sneezeguard.com](http://www.sneezeguard.com)



Please read our Installation and operating manual for safety and installation guidance.



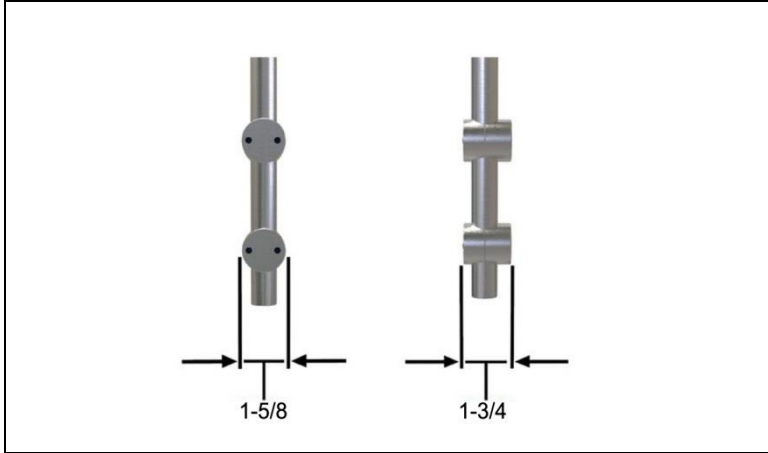


# Model EP7

## EP7

This product is covered by one or more of the following patents with additional pending.

- [USD427460S](#) [US6132018A](#) [US8196872B1](#)
- [US9557004B1](#) [USD866309S1](#) [US8936223B1](#)
- [USD699546S1](#) [US9062483B1](#) [USD720604S1](#)
- [USD741696S1](#) [USD741157S1](#) [USD659517S1](#)
- [US8973876B1](#) [USD752908S1](#) [US8302919B1](#)
- [USD625984S1](#) [USD720605S1](#) [USD636658S1](#)
- [US9399882B1](#) [USD719820S1](#) [USD867117S1](#)
- [US9144329B1](#) [USD625170S1](#) [USD719821S1](#)
- [USD741697S1](#) [USD690190S1](#) [US8898862B1](#)
- [US8925153B1](#) [USD625170S1](#)



Flange

### Side Flange

The side counter post allows for side counter installs and allows for adjustment of post height after install. This Flange holds to post outside the counter table. 3/4" Off-set spaces available to increase.

### Specifications Bay Options

Select Bay	(Measurements)- Face Length	Custom Sizes	Only Post Options
<a href="#">1 Bay</a>	12"- 42"	Available	Available

### Dimensions

Model EP7 dimension for 1 Bay is 12"- 42", and all glass Thicknesses are the same size 1/4".

### Shipping

- Shipping with minimum time
- Shipping with safe packaging
- Shipping exact location
- Shipping multi-bay with different-different parts

### Installation requirements

Our sneeze guards are designed with center to center dimensions in mind. Please allow for flange width when considering your installation overall size.

### Model EP7 Specification

In this model of EP7 include both sides (Left & Right) post. Each Post distance is up to 42". Its finishes with brushed stainless steel, powder coat black, brushed aluminum. This is a side table post model. In this model using side base flange with 3/4" Off-set spaces available to increase height.

It can be easily installed outside the food counter or reception desk. Post with side base flange option. Specially used for food counter or office table.



## Model EP7

