



" THE **SNEEZEGUARD**
COMPANY "

ED20

Specifications:

Construction:

- 1" Round tubing
- 2" Base flange
- Brackets accept 1/4" through 3/8" thick material

Available Finishes:

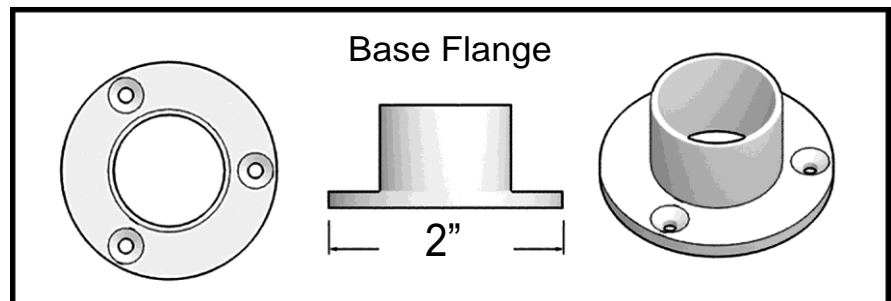
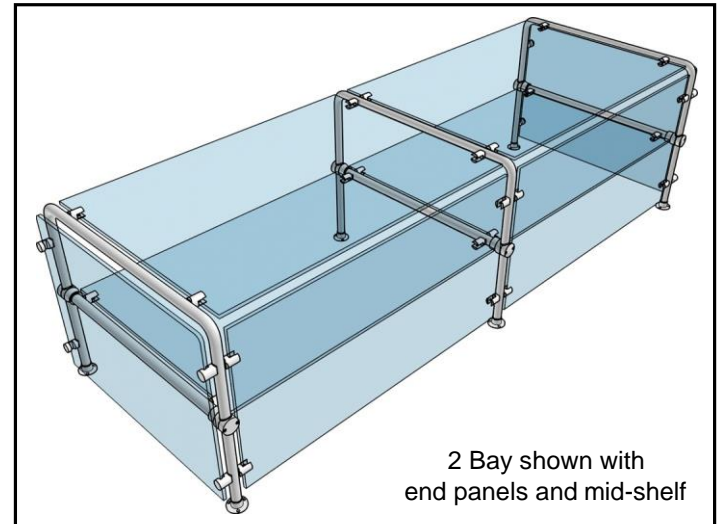
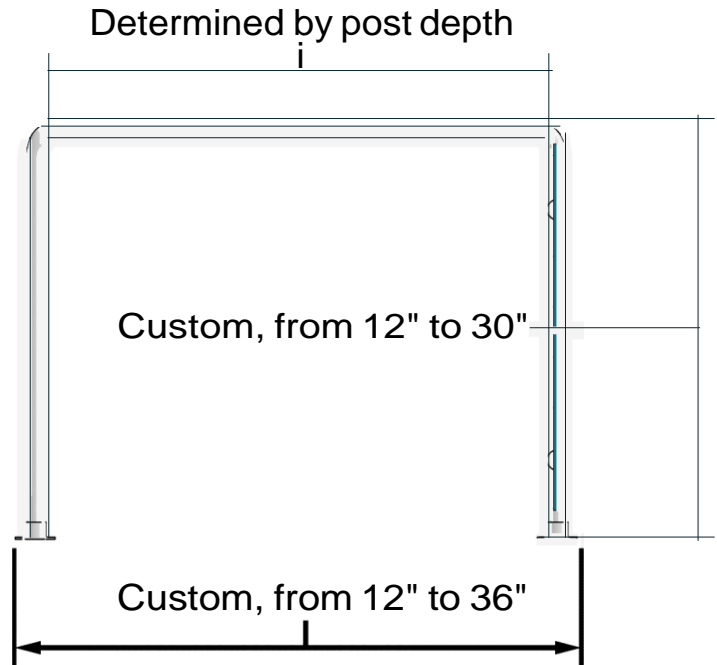
- Brushed Stainless Steel
- Powder-Coated: Satin Black

Glass:

- 3/8" Clear tempered glass with polished edges

Options:

- Glass corners:
 - Squared
- End panels
- Mid-Shelf "Adjustable" arms
- LED lighting
- Flange canopy covers



Web-Site:
www.sneezeguard.com

E-Mail:
info@sneezeguard.com

Phone:
(800) 805-1114

Fax:
(800) 621-1992

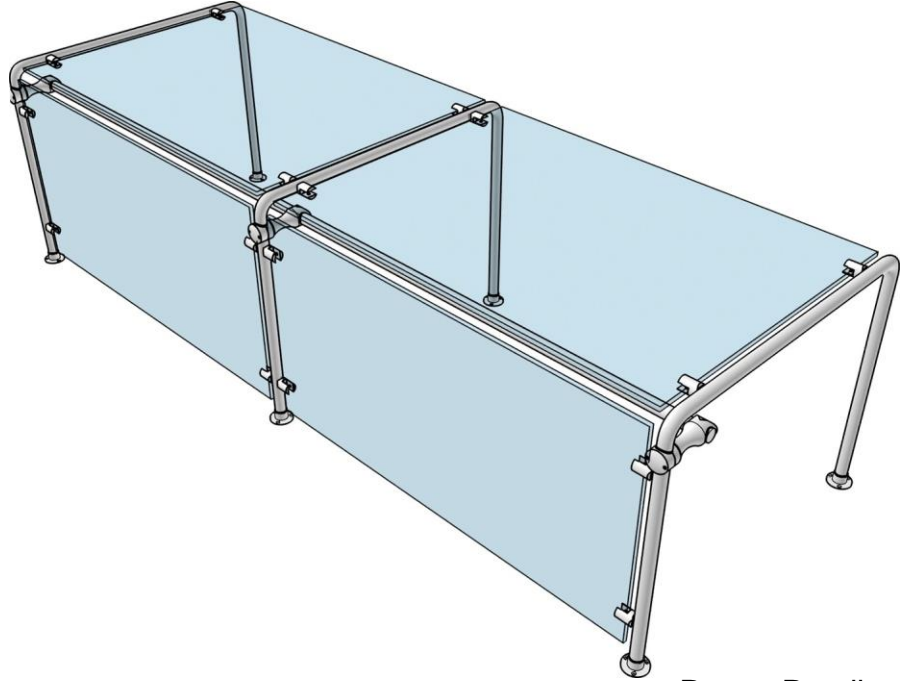
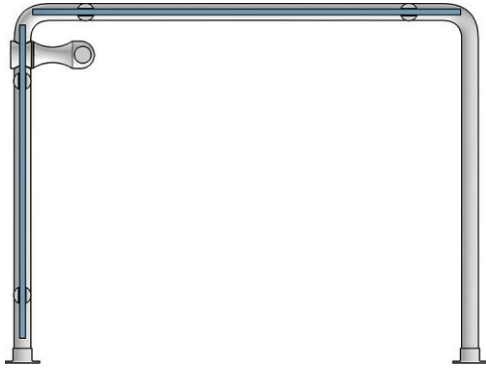
Reference sheet: ED20
Dated: Jan 2021

QDM

"THE SNEEZEGUARD
COMPANY"

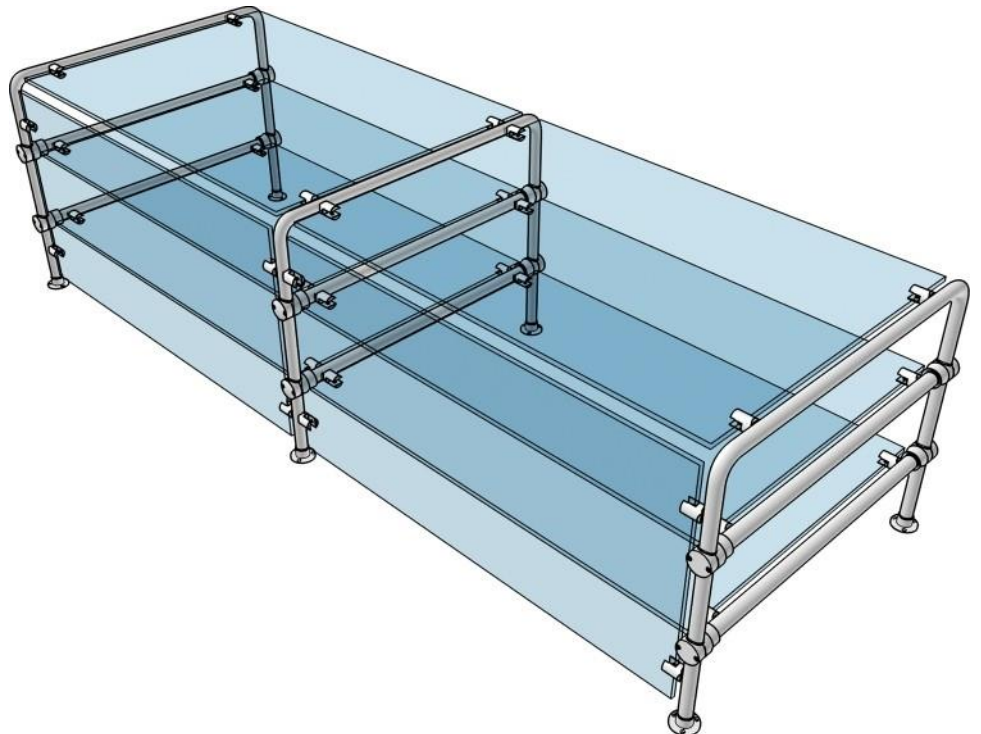
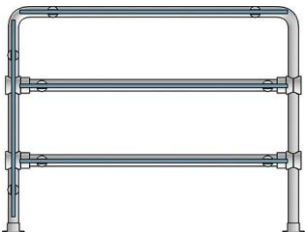
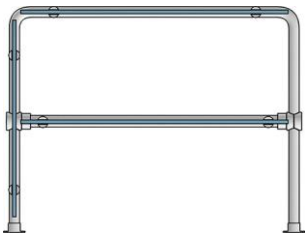
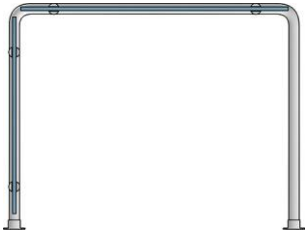
ED20

LED Lightbar



Patent Pending

Mid-Shelf "Adjustable" arms



Patent Pending