



SNEEZEGUARDS

TEL: 800-690-0002

FAX: 925-680-7252

EP-950 - Portable

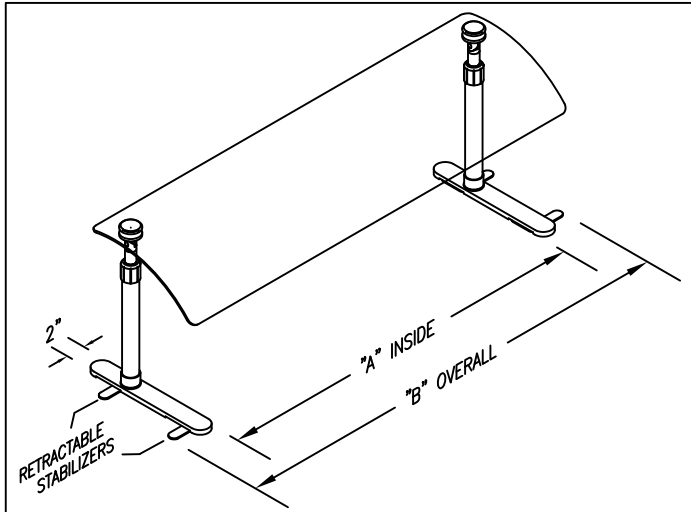
Project Name: _____

Item Number: _____

Quantity: _____

Length: _____

Dimensions:



MODEL NUMBER	A	B
EP950-24	16"	24"
EP950-30	22"	30"
EP950-36	28"	36"
EP950-42	34"	42"
EP950-48	40"	48"
EP950-54	46"	54"
EP950-60	52"	60"
EP950-66	58"	66"
EP950-72	64"	72"
EP950-78	70"	78"
EP950-84	76"	84"

Specifications:

Construction:

- 1" Round Tubing
- 2" Heavy Duty Base Structure with Leg Stabilizers

Finishes:

- Powder Coated Black Base Structure
- Brushed Stainless Steel Twist Lock and 1" Upper Tubing

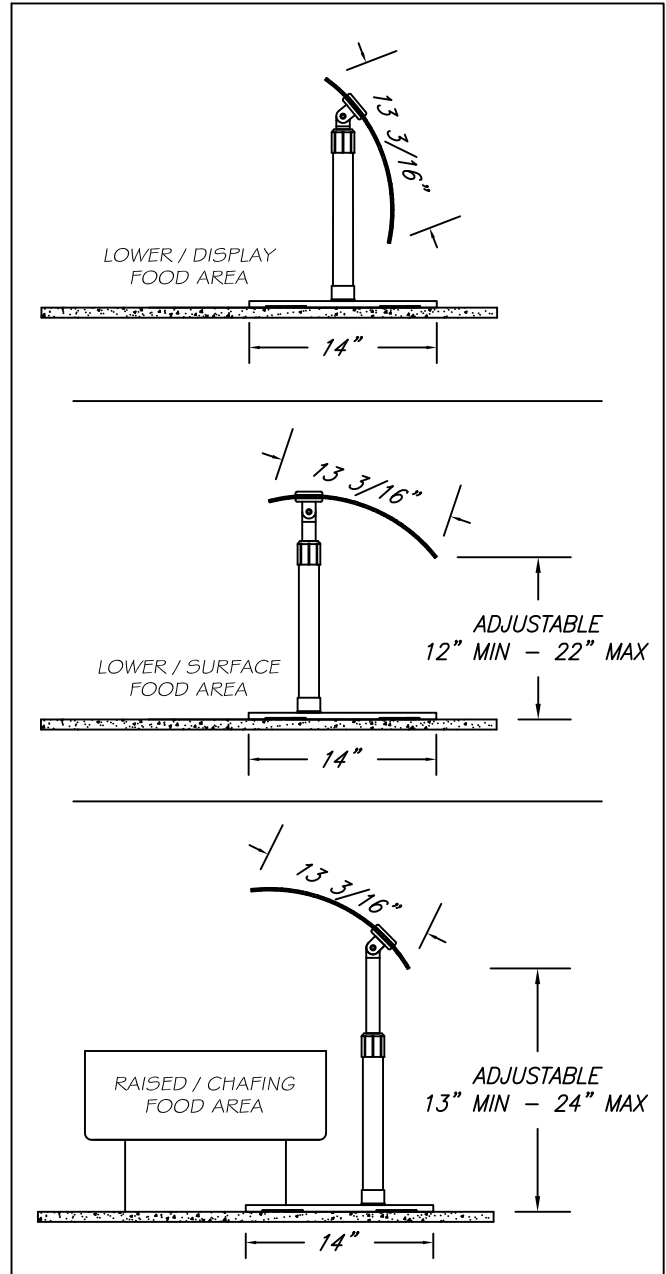
Glass:

- 1/4" Clear Acrylic Panel

Features:

- Fully Adjustable
- Easily Sets Up for use and Conveniently Detaches for Storage
- In Stock Ready to Ship
- NSF Labeled and Certified

Various Configurations:



Base Layout:

