



Item:

SNEEZEGUARDS

Project Name: _____

Qty: _____

Length: _____

ADM/B-445

Construction:

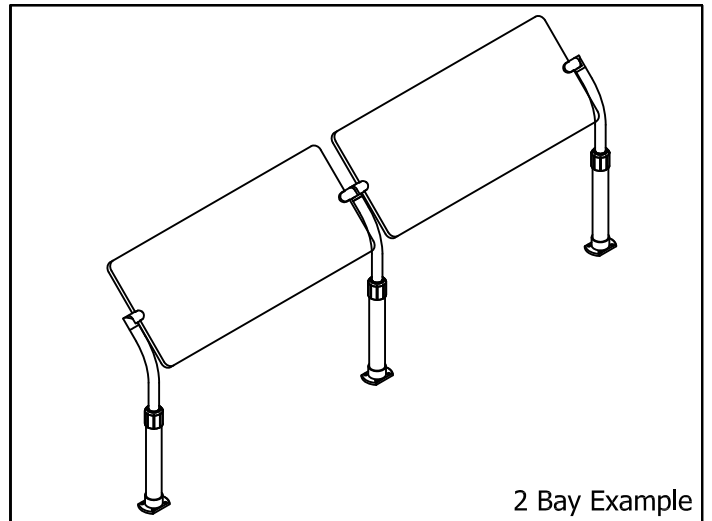
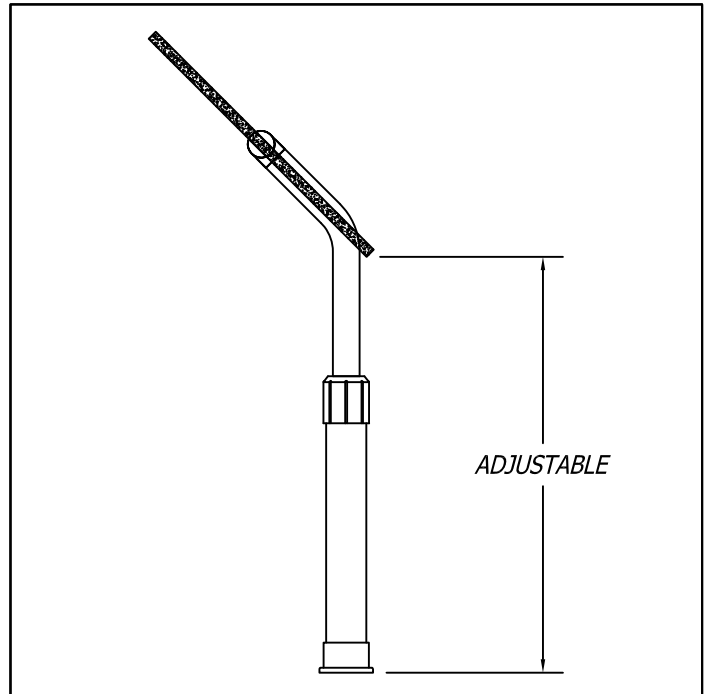
- 1 1/2" Round Tubing
- 2" x 3" Flanges
- Glass Brackets (accept 1/4" or 3/8")
- Rotating Face Panels
- Adjustable Height

Available Finishes:

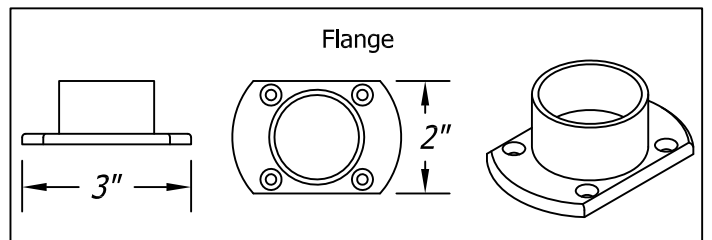
- Polished Stainless Steel
- Brushed Stainless Steel
- Powder Coated (Color Finishes)

Glass:

- 3/8" Clear Tempered (Standard)



NOTES:



-E-MAIL-
SALES@SNEEZEGUARDS.COM



-WEB SITE-
WWW.SNEEZEGUARDS.COM